



PCB connector
 Rated current: 15 A
 Rated voltage: 600 V
 Wire range: 28-12 AWG
 Pitch: 10.0 mm/10.16 mm



For reference only!version1.0

UL/CUL

Use Group	B	C	D
Rate Voltage [V]	600	-	600
Rated Current [A]	15	-	5
Wire Range [AWG]	28~12		
Dielectric Voltage-Withstand	2.2KV		

IEC

Overvoltage Category	III	III	II
Contamination Class	3	2	2
Rated Voltage [V]	630	1000	1000
Rated Current [A]	10	10	10
Impulse withstand voltage [KV]	6	6	6
Conductor cross section[solid/flexible] [mm ²]	0.5~2.5		

Material

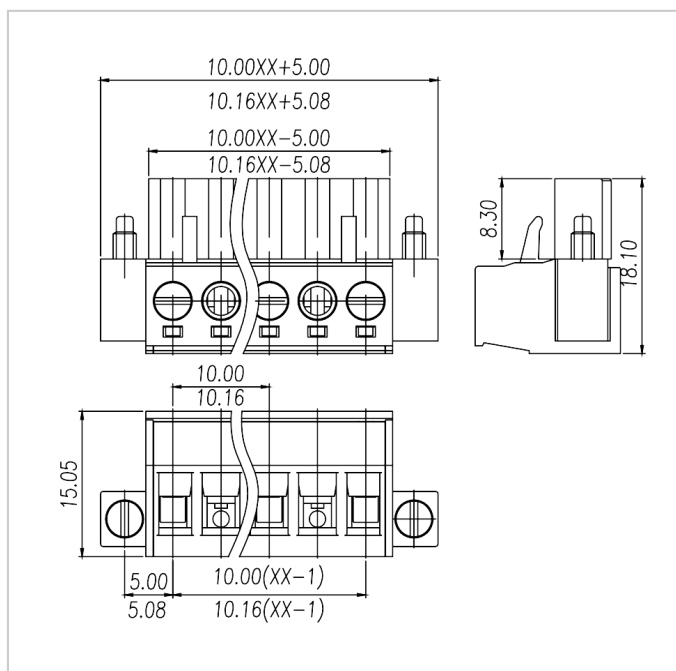
Insulation Material	PA66
---------------------	------

Flame retardant rating	UL94V-0
Conductor Material	Copper alloy
Plating of conductor surface	Ni plated

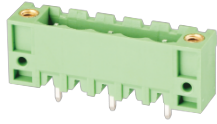
Other Data

Pitch/Poles [mm]/[P]	10 , 10.16/2~12
Stripping Length [mm]	7~8
Screw/Torque(Max)[N.m]	M3/0.5
Operating temperature [°C]	-40~+105
Soldering temperature	/
Pin dimensions [mm]	/
PCB Hole Diameter [mm]	/

Dimensions



Accessories



[WJ2EDGVM-10.0/10.16](#)



[WJ2EDGRM-10.0/10.16](#)